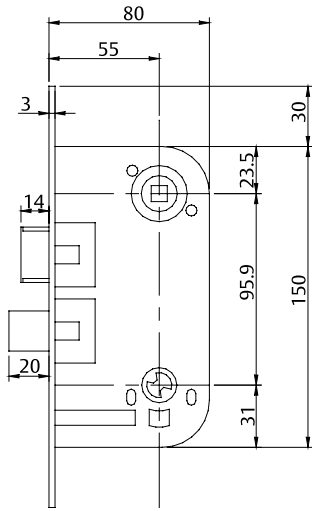
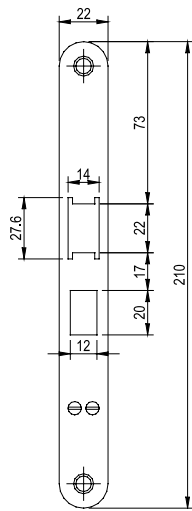


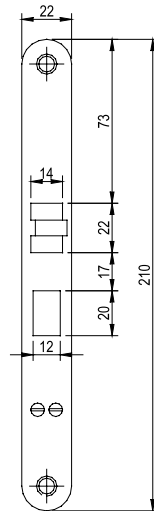
53-Series Lock cases - Dimensions



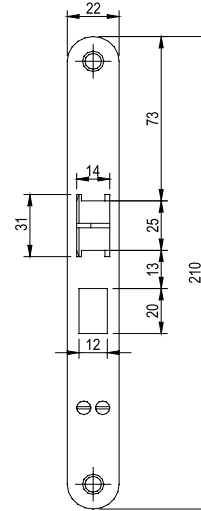
53-series



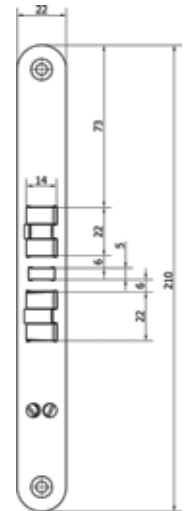
5312/8



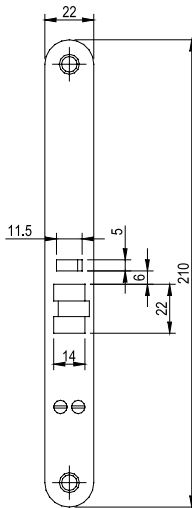
5316/8



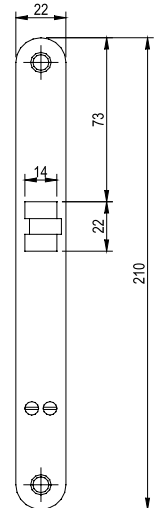
5320/8



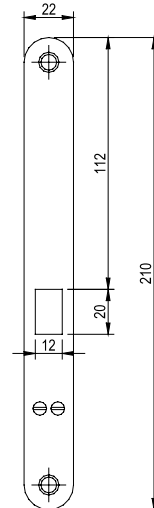
5322



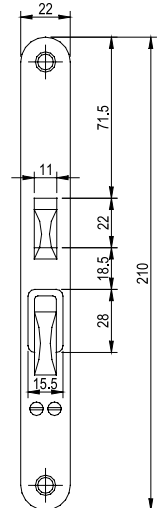
5332/8



5336/8

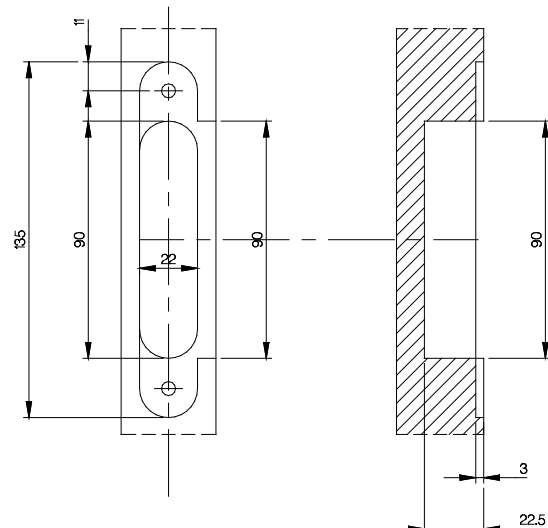
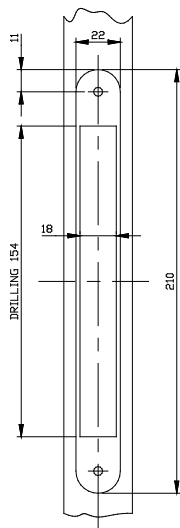
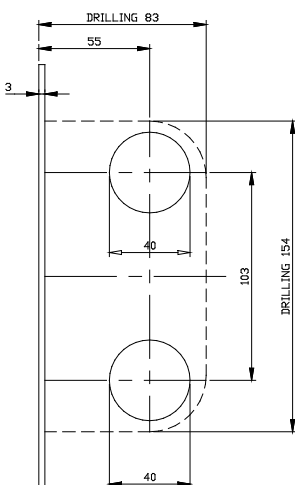


5341/8



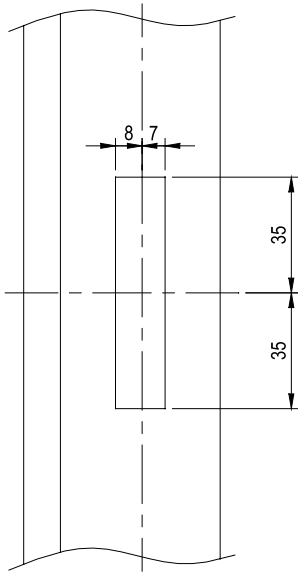
5382/8

53-Series Lock cases - Drilling

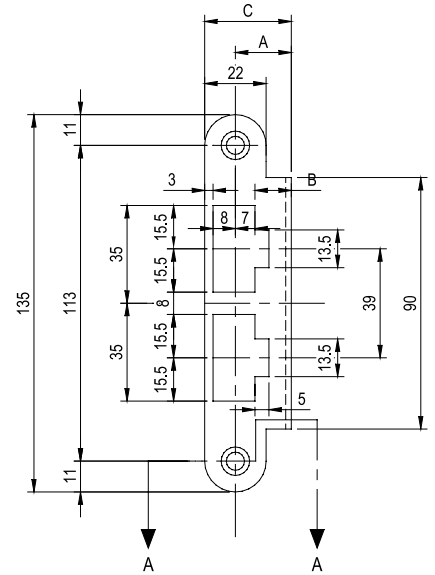


53-Series

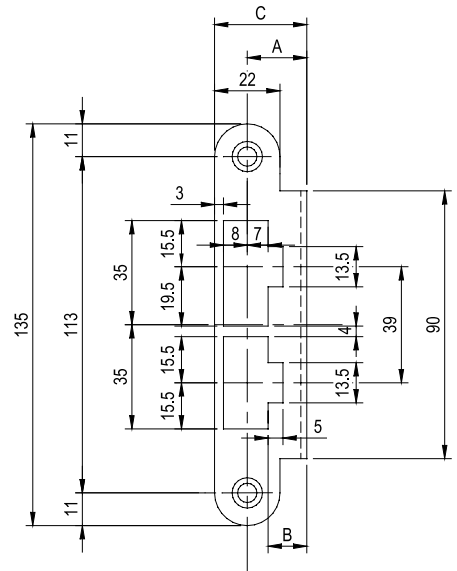
53-Series Lock cases - Drilling



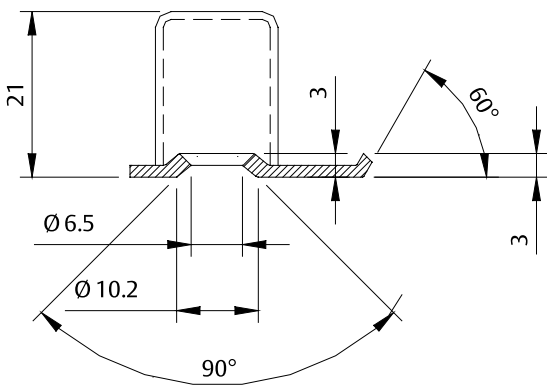
Striker plate cut out



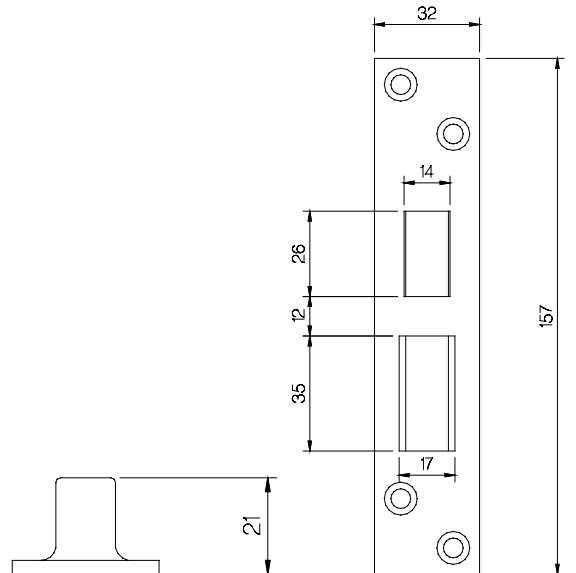
Striker plate for 53-Series (excluding 5320/8 and 5382/8)



Striker plate for 5320/8 only



Striker plate with dust box for 53-Series



Striker plate for 5382/8 only (supplied with or without dust box)