

Lock case UK1601 - Rim Cylinder Latch Lock case (replaces Lock case 1183)

Lock case UK2622 - Rim Cylinder Dead Bolt Lock case (replaces Lock case 1186)

TO ORDER you must specify:

- lock case number, i.e. UK1601 or UK2622
- direction of opening, i.e. right or left
- with or without cylinder

Application:

- UK1601 is a rim cylinder lock case for lightweight doors
- UK2622 is a rim cylinder dead bolt lock case for lightweight doors

Operation:

- UK1601 is operated by key or thumb turn
- UK2622 may be dead locked by turning the key or thumb turn backwards
- UK2622 is operated by key from the outside and thumb turn from the inside

Materials and Finish:

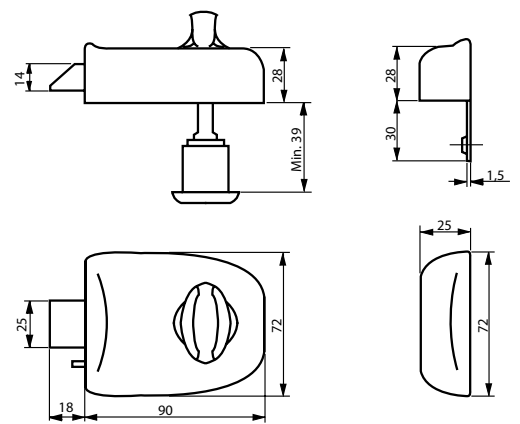
- lock case: zamak/enamelled
- striker plate: steel/chrome
- black lacquered finish
- cylinder 5532 ESP R: satin chrome or polished chrome (the same as cylinder 5532 but with a new follower)
- weighs 566 g

Delivery:

- lock case complete with striker plate
- fixing screws
- cylinder is optional and must be ordered separately



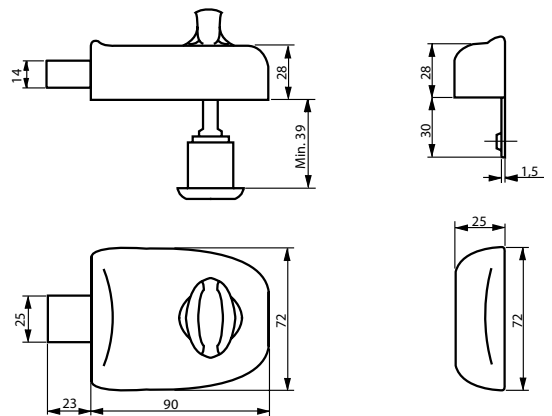
UK1601



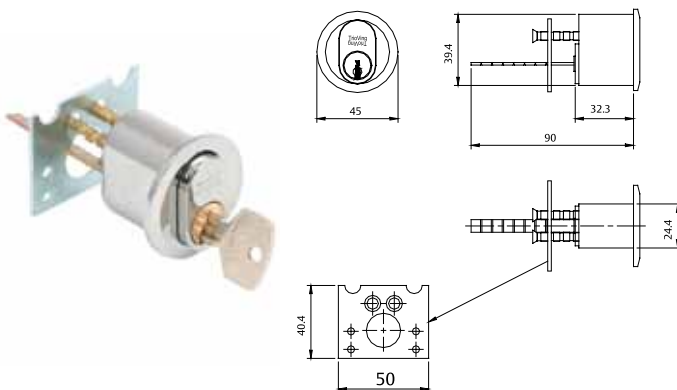
UK1601: technical drawing



UK2622



UK2622: technical drawing



5532 ESP R

5532 ESP R: technical drawing