

H 1067 Series Rose

design Valli Workshop

Material: Pure Copper 100%

V&V Valli&Valli

ASSA ABLOY

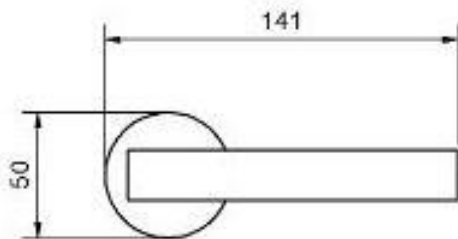


First lever entirely in Copper Cu+ material, antimicrobial by nature and tested against the most common viruses, including the Coronavirus family.

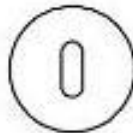
The antibacterial copper handle oxidizes over time turning into a dark color. We recommend to keep the lever clean with specific products for copper.

Sizes

Finishes



H1067 R8



R1 Polished Pure Copper

R2 Satin Pure Copper



Trim Options

RS50=50mm round rosette

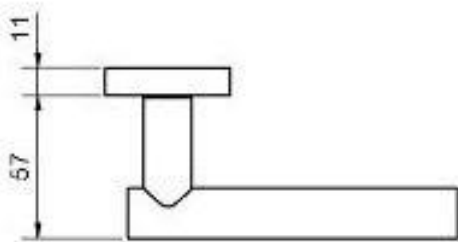
Functions

R8

R8Y

FRS

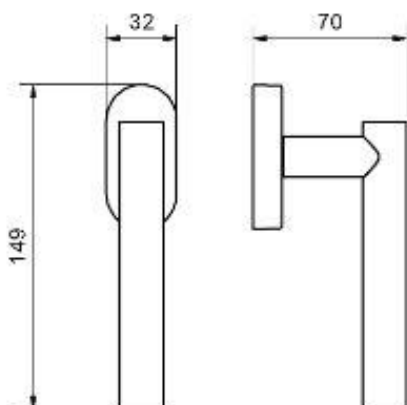
GL8



H1067 R8 Y



H1067 F RS



H1067 AA PBZ

Completes its range by supplying the following 100% pure copper components for Vingcard locks:

- Pair of handles H1067
- Rosettes
- Plate and Thumb turn

