

# RFID Exit Device

By installing a VingCard Exit Device on your emergency exit, you maintain full access control from the outside as well as an easy and safe escape in case of an emergency. The emergency exit can be opened simply by pushing the push bar.

The Exit Device is suitable for wooden-, metal- and glass doors. It is supplied in a RIM version for horizontal installation with latch on the side of the door and in a ROD version for vertical installation with latch on top and bottom of the door.

## STANDARD FEATURES

- : Stand alone electronic exit device with RFID technology.
- : Solid stainless steel handle with self lubricating long life bearings.
- : Powered by 3AA batteries that provide up to 2 years normal life time.
- : 2000 event audit trail.
- : Compatible with Visionline system software platform.
- : Supplied both as RIM (horizontal installation) or ROD (vertical installation) versions for different needs.
- : Available in different standard lengths for different door widths.
- : Suitable for wooden doors, metal doors and glass doors.
- : UL Fire and Panic listed.
- : RFID Specifications:
  - 13,56MHz technology
- : Compatible with following standards:
  - ISO 14443 A (MIFARE)
  - ISO 14443 B
  - ISO 15693

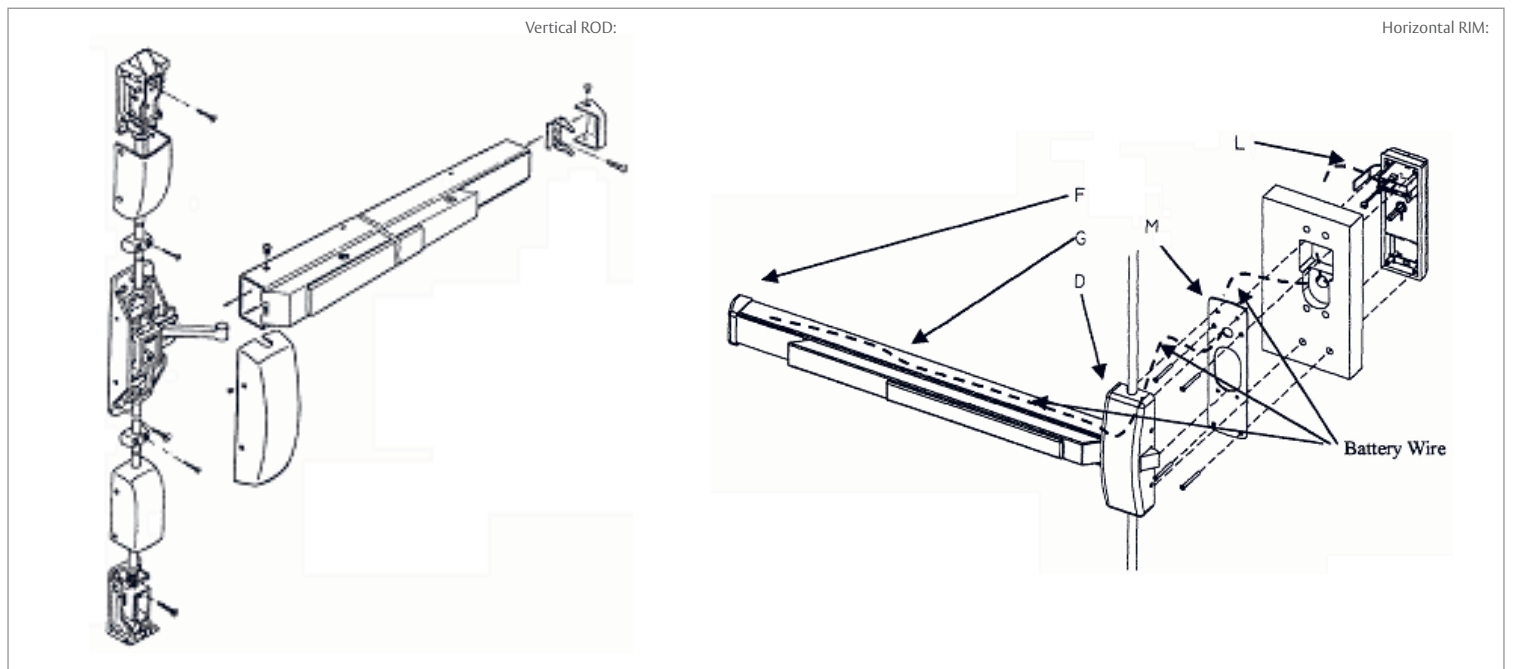


**ASSA ABLOY**  
Global Solutions

The global leader in  
door opening solutions

## TECHNICAL DATA

Finish available for pushbar	Satin Chrome, Polished Chrome, Satin Brass, Satin Chrome, Antique.
Finish available for exit device kit (outside escutcheon)	Satin Chrome, Polished Chrome, Satin Brass, Polished Brass, Light Bronze, Velour Nickel, US Antique Dark Oiled.
Reader technology	RFID.
System compatibility	Vision, Visionline.
Door width (cm)	720 -1250 mm.
Door heights (not using top ROD extension kits)	up to 2133 mm.
Door heights (using top ROD extension kits)	2133 – 2590 mm.
Handings	LHR, RHR.



### Ordering information:

To order a complete Exit Device, please include the following items in your order:

- : Exit Device Kit (outside escutcheon with reader and lock case)
- : RIM or ROD dependant on your door width and height
- : HW Kit for Exit Device (assembly parts)

### Additional items:

- : Top ROD extension Kit (when door height exceeds 2133 mm)
- : Glass bead shim kit for glass doors