

# Elsafe Safe Rack

## Safe Accessories

Safe Rack System is the ideal solution for hoteliers that do not wish to offer safes in every guest room, but prefer having safes in a common and secured area to optimize the usage of space.

Safe Rack provides flexibility in a very cost effective solution where safes of multiple columns can easily be mount next to each other. The Elsafe models that are compatible with the safe rack are Zenith 43, Zenith Wide, Sentinel II 41, Sentinel II 49, Infinity II 41 and Infinity II 49.



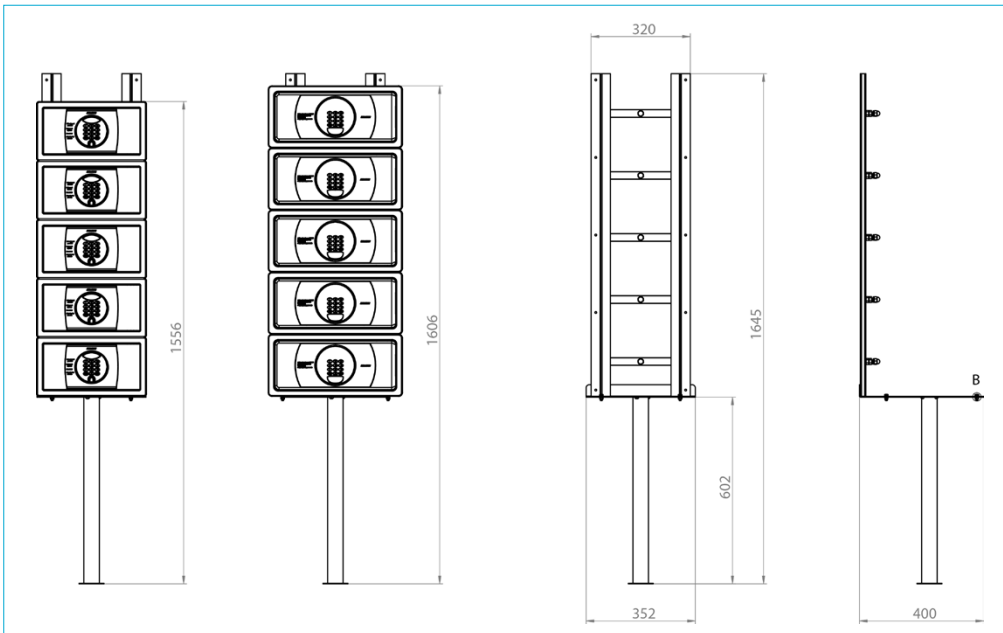
### FEATURES

- : Designed to fit industry leading Elsafe safes
- : Compatible with Zenith, Sentinel II and Infinity II
- : Easy self-installation
- : Reduce installation costs
- : Easy maintenance
- : Add multiple columns at any time
- : Easy removal of safes
- : Five safes in each column

		Safe Rack System
Outside H / W / D	mm.	1645/358/438
	inch.	64 <sup>3/4</sup> - 14 - 17 <sup>1/4</sup>
Weight net	kg.	12
	lb.	26,4
Weight gross	kg.	16
	lb.	35,3

		Color
Mounting Rails		Black Gray RAL 7021
Base and fixing boss		Black Gray RAL 7021

### DIMENSIONS



**ASSA ABLOY**  
Global Solutions

The global leader in  
door opening solutions