

# VingCard Allure

## Fechadura Eletrônica

VingCard Allure é uma solução de fechadura eletrônica altamente inovador sendo única no mercado em termos de flexibilidade de design e características. O conceito e a tecnologia refinados, contemporâneos e intuitos foram criados tendo em mente a elegância do design.

Baseada na plataforma de fechadura VingCard RFID, Allure consiste de uma variedade de painéis de parede, proporcionando aos arquitetos e designers de interiores liberdade de escolha com uma solução de ponta de hardware e software.

Allure integra as mais avançadas soluções de acesso de “não-contato” com a eletrônica, incluindo RFID (Radio Frequency Identification - radio-frequencia) compatível com a tecnologia de acesso, bem como totalmente compatível com o software online Visionline da VingCard.



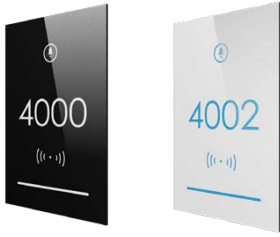
### CARACTERÍSTICAS

- : Certificação EPD (Environmental Product Declaration)
- : Oferece a última tecnologia em RFID (radio-frequencia - por aproximação)
- : Permite acesso por celular Painel de parede com indicadores de informação com LED
- : Leitor de parede com inteligência e funcionalidade customizável
- : Painéis de estilo em vidro com opções de desenho
- : Opção de numeração iluminada dos apartamentos com 16 temas em LED
- : Painel interno para “Não Pertube” e “Arrumar o Quarto”
- : Solução standalone para “Não Pertube” e “Arrumar o Quarto”
- : Registo de auditoria de auditoria detalhada: 3000 eventos no modo offline (Vostio e Visionline versão 1.24 e superior)
- : Comunicação wireless entre a parede e a porta
- : Conexão online com Visionline Wireless (Zigbee) ou Visionline Wired (PoE)
- : Especificações RFID:
  - tecnologia 3,56MHz
  - compatível com as seguintes normas:
    - ISSO 14443 A (MIFARE incluindo Desfire)
    - ISSO 14443 B
    - ISSO 15693

**ASSA ABLOY**  
Global Solutions

Experience a safer  
and more open world

## ACCESS PANELS



### Allure Grand

SMART Panel with complete functionality; RFID lock, MUR/DND indicators, Door bell button, room number, logo (optional).

Allure Grand   SPECIFICATIONS	
Dimensions (H x W x D)	160 x 110 x 13 mm 6,26 x 4,33 x 0,51 in
Weight (g)	133 g
RFID reading distance	10-30 mm (pending tag type and size)
Access symbol	3 color LED backlight
Doorbell button	Switch button with 2 color LED backlight
Room number backlight	16 color LED backlight (pre-defined, one selectable color at the time)
DND/MUR status indicator	3 color LED backlight
Operating temperature	Indoor use only: 5-60 °C / 41-140 °F, non-condensing environment
Storage conditions	0-70 °C / 32-158 °F: non-condensing environment
Material	Scratch resistant acrylic front, polycarbonate used in back frames and non-visible structural parts
Power source/Supply voltage	Power supplied through single cable from main control unit
Mechanical interface	Mounting bracket fastened with screws, click-on front panel
Electrical interface	Wired to main control unit. One cable with connector.
Colors	Standard Black or White. Customized design upon request.
IP rating (mounted )	41



### Allure Solo

SMART Panel with RFID lock.

Allure Solo   SPECIFICATIONS	
Dimensions (H x W x D)	160 x 110 x 13 mm 6,26 x 4,33 x 0,51 in
Weight (g)	133 g
RFID reading distance	10-30 mm (pending tag type and size)
Access symbol	3 color LED backlight
Doorbell button	n/a
Room number backlight	n/a
DND/MUR status indicator	n/a
Operating temperature	Indoor use only: 5-60 °C / 41-140 °F, non-condensing environment
Storage conditions	0-70 °C / 32-158 °F: non-condensing environment
Material	Scratch resistant acrylic front, polycarbonate used in back frames and non-visible structural parts
Power source/Supply voltage	Power supplied through single cable from main control unit
Mechanical interface	Mounting bracket fastened with screws, click-on front panel
Electrical interface	Wired to main control unit. One cable with connector.
Colors	Standard Black or White. Customized design upon request.
IP rating (mounted )	41



### Allure One

SMART Panel with; RFID lock.

Allure One   SPECIFICATIONS	
Dimensions (H x W x D)	110 x 110 x 13 mm 4,33 x 4,33 x 0,51 in
Weight (g)	
RFID reading distance	10-30 mm (pending tag type and size)
Access symbol	3 color LED backlight
Doorbell button	n/a
Room number backlight	n/a
DND/MUR status indicator	3 color LED backlight
Operating temperature	Indoor use only: 5-60 °C / 41-140 °F, non-condensing environment
Storage conditions	0-70 °C / 32-158 °F: non-condensing environment
Material	Scratch resistant acrylic front, polycarbonate used in back frames and non-visible structural parts
Power source/Supply voltage	4,5V DC (3 x AA alkaline batteries)
Mechanical interface	Mounting bracket fastened with screws, click-on front panel
Electrical interface	Wired to main control unit. One cable with connector.
Colors	Standard Black or White. Customized design upon request.
IP rating (mounted )	41

## ROOM STATUS PANELS



**Allure Blend**  
SMART Panel with; Room number, MUR/DND indicators, Door bell button.

Allure Blend   SPECIFICATIONS	
Dimensions (H x W x D)	160 x 110 x 13 mm 6,26 x 4,33 x 0,51 in
Weight (g)	133 g
RFID reading distance	n/a
Access symbol	n/a
Doorbell button	Switch button with 2 color LED backlight
Room number backlight	16 color LED backlight (pre-defined, one selectable color at the time)
DND/MUR status indicator	3 color LED backlight
Operating temperature	Indoor use only: 5-60 °C / 41-140 °F, non-condensing environment
Storage conditions	0-70 °C / 32-158 °F: non-condensing environment
Material	Scratch resistant acrylic front, polycarbonate used in back frames and non-visible structural parts
Power source/Supply voltage	12-24VDC or power supplied through room bus
Mechanical interface	Mounting bracket fastened with screws, click-on front panel
Electrical interface	Room bus
Colors	Standard Black or White. Customized design upon request.
IP rating (mounted )	41



**Allure Chic**  
SMART Panel with; MUR/DND indicators, Door bell button.

Allure Chic   SPECIFICATIONS	
Dimensions (H x W x D)	110 x 110 x 13 mm 4,33 x 4,33 x 0,51 in
Weight (g)	
RFID reading distance	n/a
Access symbol	n/a
Doorbell button	Switch button with 2 color LED backlight
Room number backlight	n/a
DND/MUR status indicator	3 color LED backlight
Operating temperature	Indoor use only: 5-60 °C / 41-140 °F, non-condensing environment
Storage conditions	0-70 °C / 32-158 °F: non-condensing environment
Material	Scratch resistant acrylic front, polycarbonate used in back frames and non-visible structural parts
Power source/Supply voltage	12-24VDC or power supplied through room bus
Mechanical interface	Mounting bracket fastened with screws, click-on front panel
Electrical interface	Room bus
Colors	Standard Black or White. Customized design upon request.
IP rating (mounted )	41

## IN-ROOM PANELS

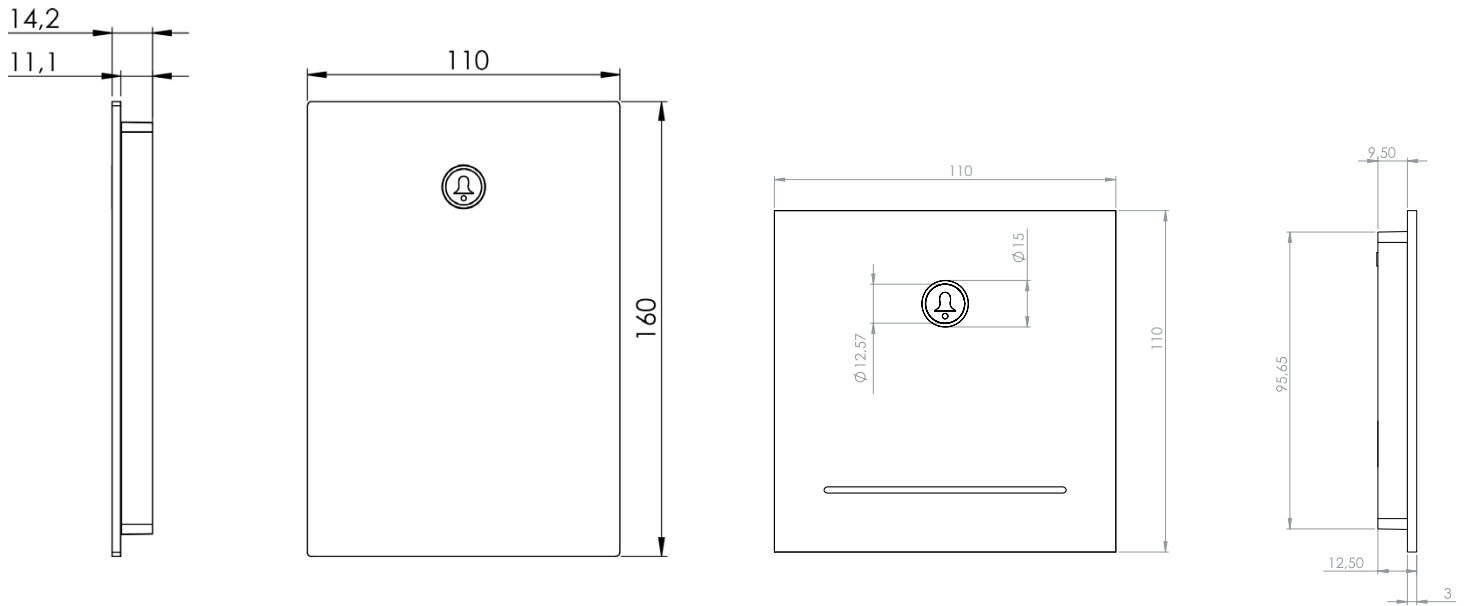
**Allure in-room panel**  
SMART Panel with; MUR/DND switch.

SPECIFICATIONS	
Dimensions (H x W x D)	100 x 100 x 13 mm 3,70 x 3,70 x 0,51 in
Weight (g)	40 g
DND/MUR switches with indicators	3 color backlit touch buttons (LED light)
Operating temperature	Indoor use only: 5-60 °C / 41-140 °F, non-condensing environment
Storage conditions	0-70 °C / 32-158 °F: non-condensing environment
Material	Scratch resistant acrylic front, polycarbonate used in back frames and non-visible structural parts
Power source/Supply voltage	Power supplied through single cable from main control unit or directly connected to external power supply.
Mechanical interface	Mounting bracket fastened with screws, click-on front panel
Electrical interface	Wired to main PCBA via room bus. Can be connected to additional in-room panels via room bus. Optional doorbell output.
Colors	Standard Black or White. Customized design upon request.
IP rating (mounted )	41



## DIMENSIONS

: Door- and frame unit



Corridor panel; Allure One or Chic



Pic 1:  
Allure with cable between main control unit and lock case (electronic override).

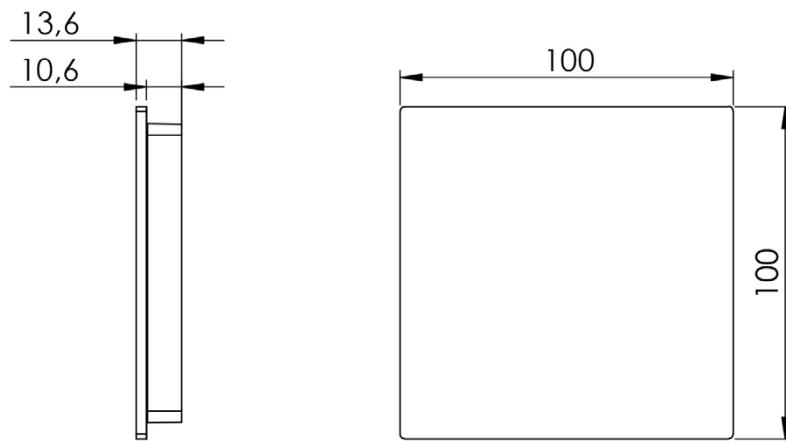


Pic 2:  
Allure with IR communication between main control unit and lock case (electronic override).

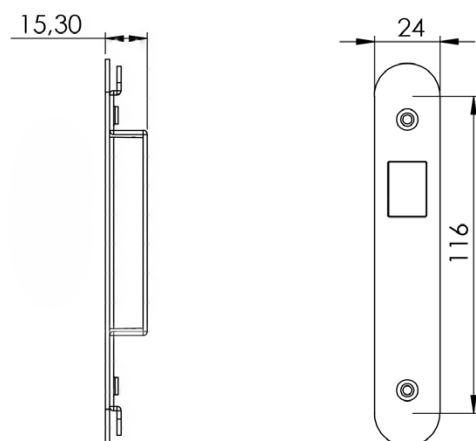
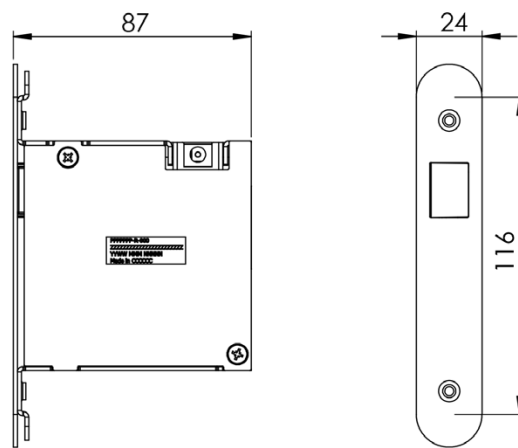


Pic 3:  
Allure with mechanical override (cylinder).

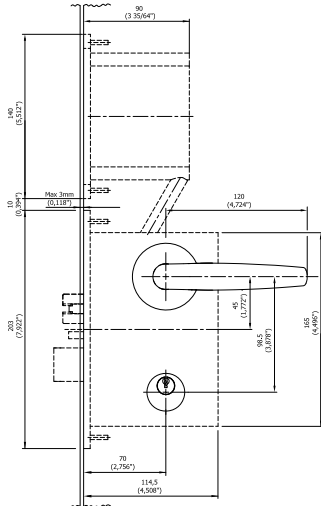
: In-room panels



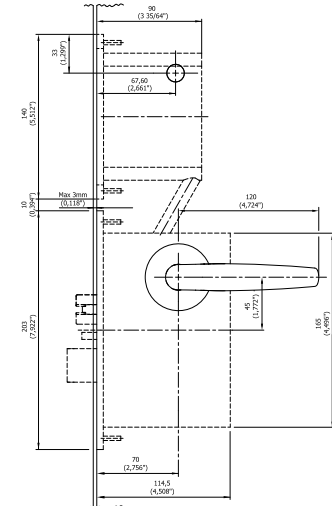
: Door- and frame unit



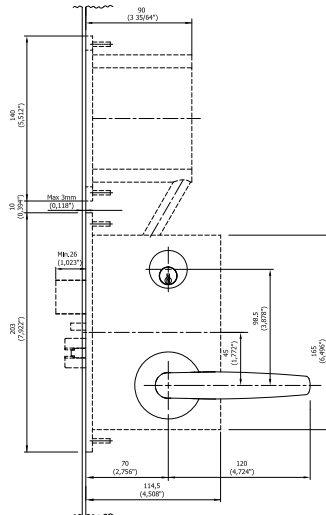
MECHANICAL OVERRIDE  
ANSI DB lockcase  
with cylinder



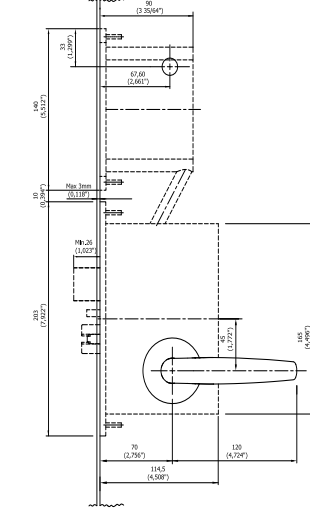
ELECTRONIC OVERRIDE  
ANSI DB lockcase  
without cylinder



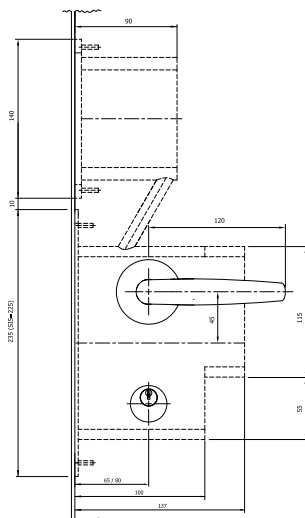
MECHANICAL OVERRIDE  
ANSI DA lockcase  
with cylinder



ELECTRONIC OVERRIDE  
ANSI DA lockcase  
without cylinder



MECHANICAL OVERRIDE  
EURO lockcase  
with cylinder



ELECTRONIC OVERRIDE  
EURO lockcase  
without cylinder

